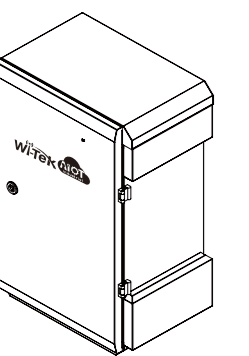




Quick Installation Guide

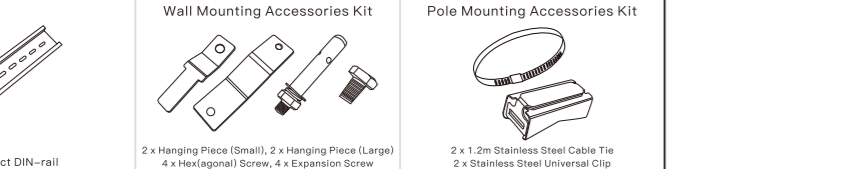
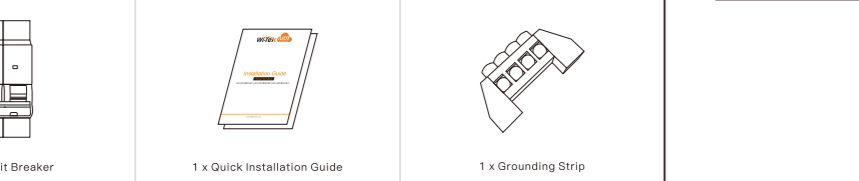
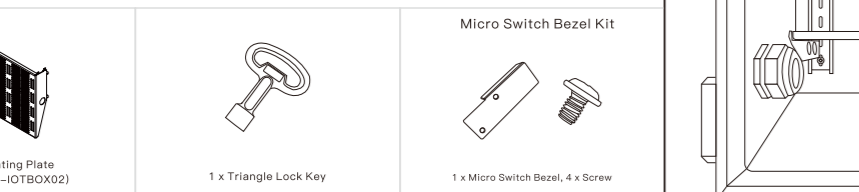
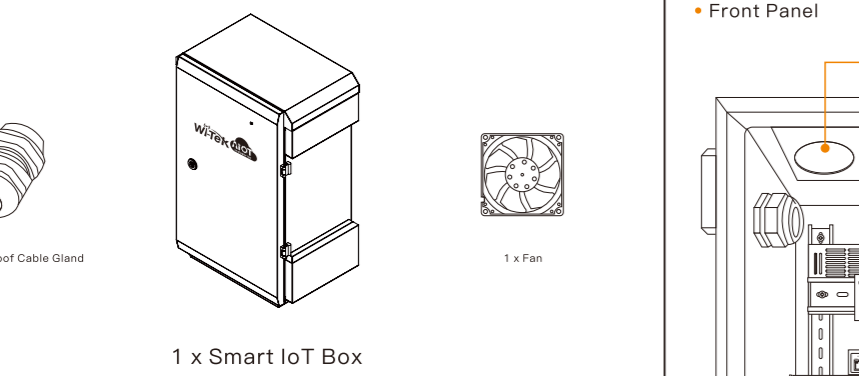
Smart IoT Box



WI-IOTBOX01 | WI-IOTBOX02 | WI-IOTBOX03 | WI-IOTBOXMINI

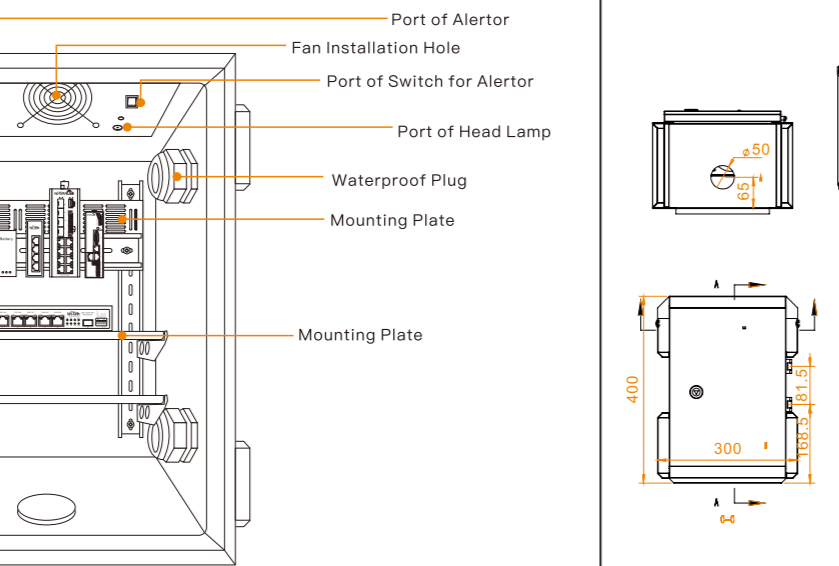
www.wireless-tek.com

1. Packing Content



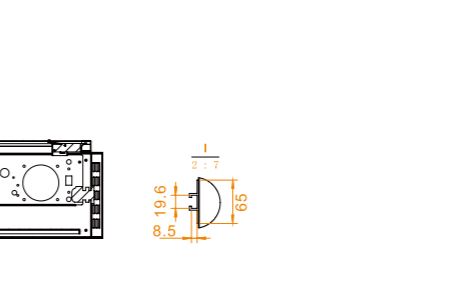
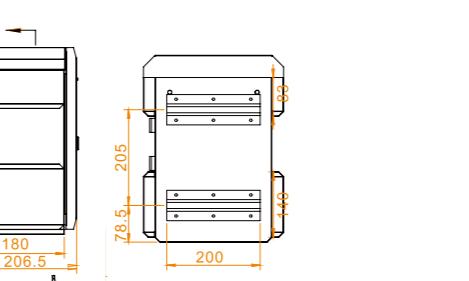
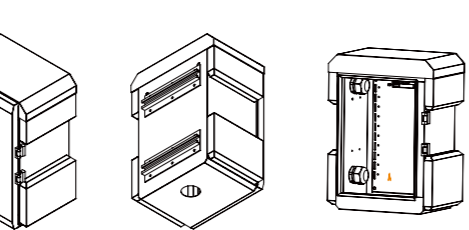
2. Hardware Introduction

2.1 Take WI-IOTBOX02 as an example
• Front Panel

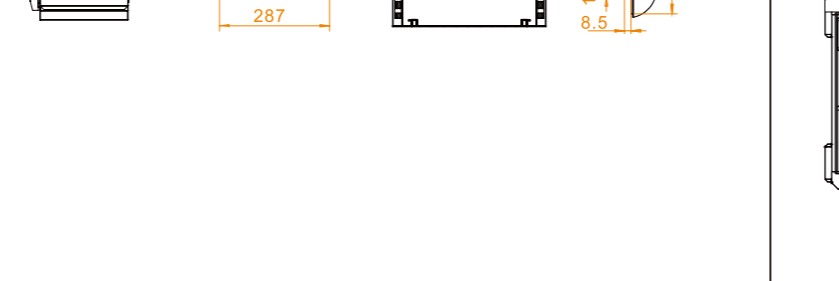
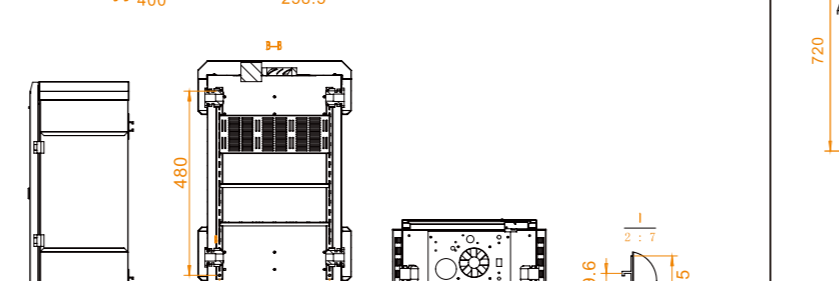
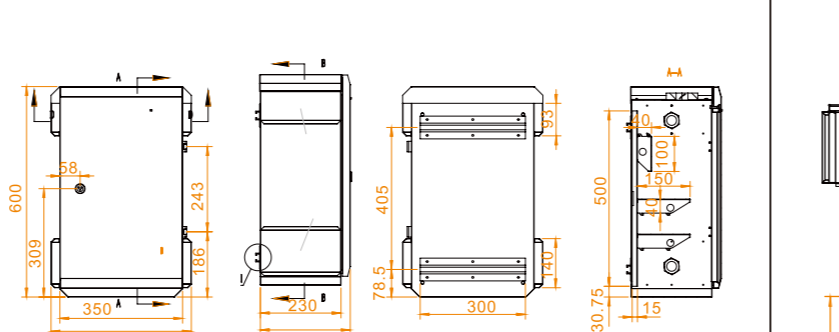


3. Structure diagram

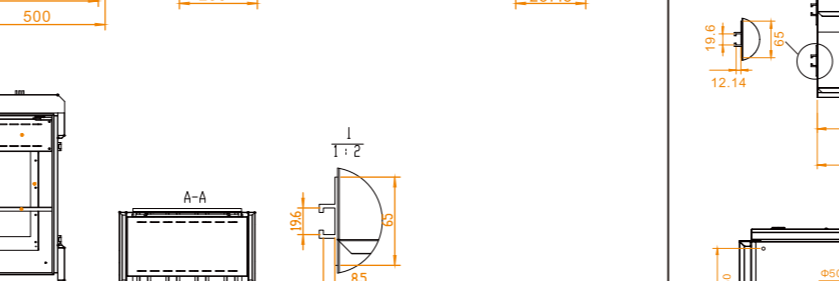
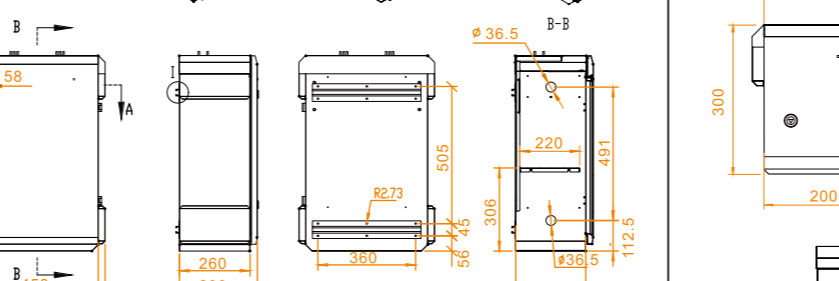
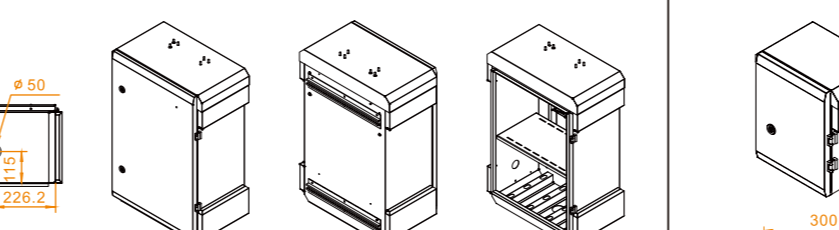
3.1 WI-IOTBOX01
• Front Panel



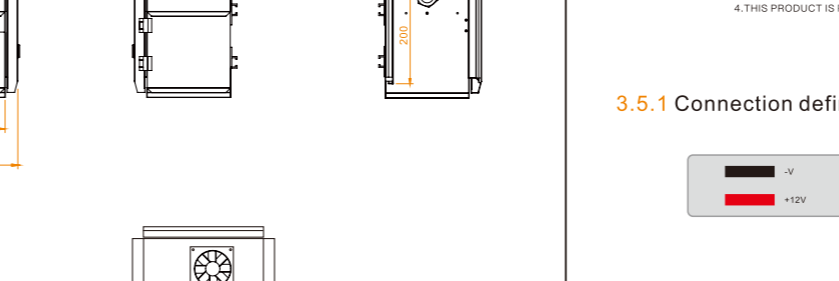
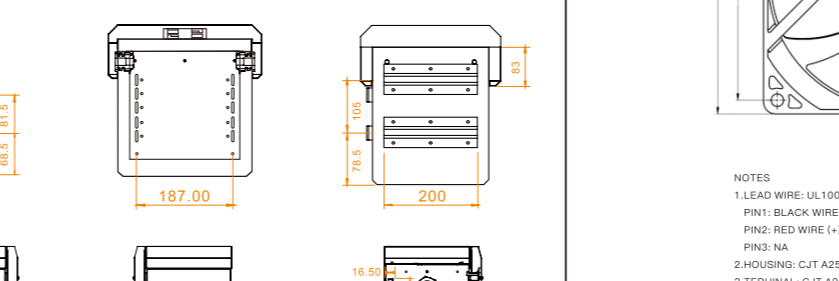
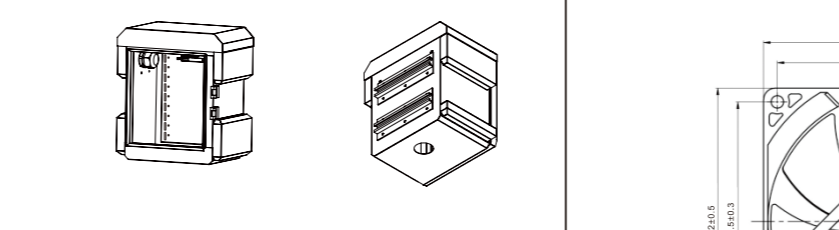
3.2 WI-IOTBOX02
• Front Panel



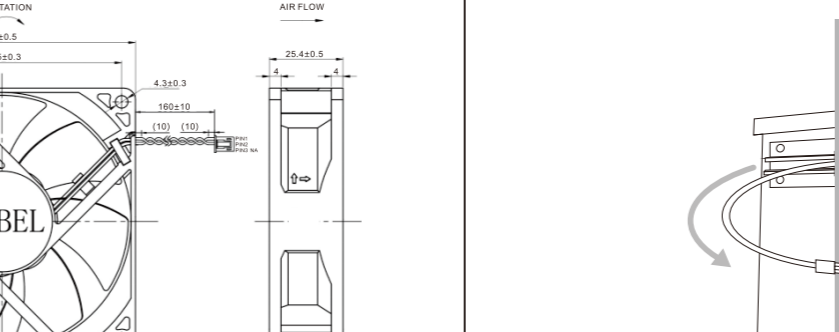
3.3 WI-IOTBOX03
• Front Panel



3.4 WI-IOTBOXMINI
• Front Panel



3.5 Fan
• Front Panel

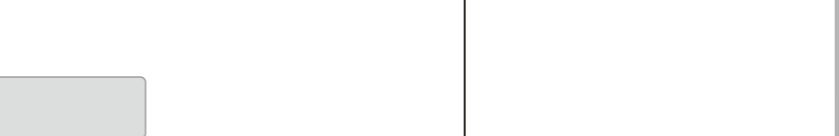


NOTES:
1. LEAD WIRE: UL1007 AWG#24
PIN1: BLACK WIRE (-)
PIN2: RED WIRE (+)
PIN3: NA
2. HOUSING: CJT A2512H-3P OR EQUIVALENT
3. TERMINAL: CJT A2501-T OR EQUIVALENT
4. THIS PRODUCT IS ROHS2.0 COMPLIANT

MODEL: SD12002BU
RATING: 12V 0.36A
MADE IN CHINA
BALL BEARING

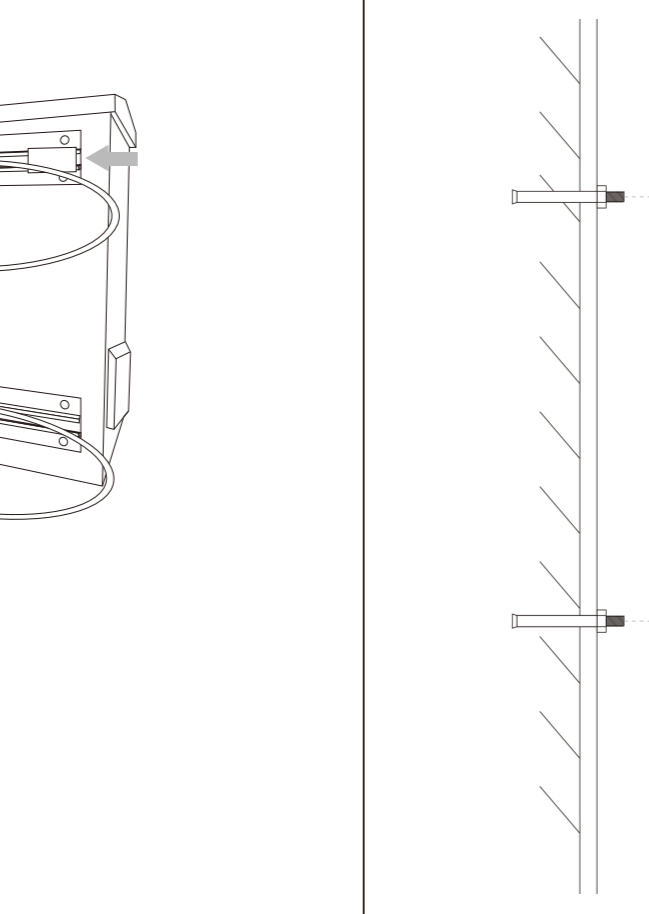
UNIT: mm

3.5.1 Connection definition

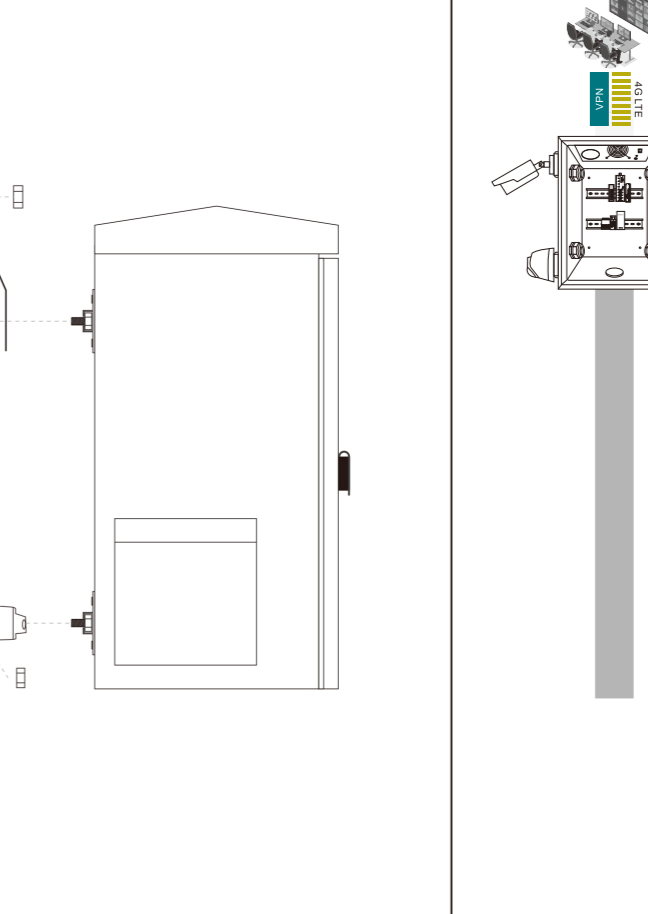


4. Installation

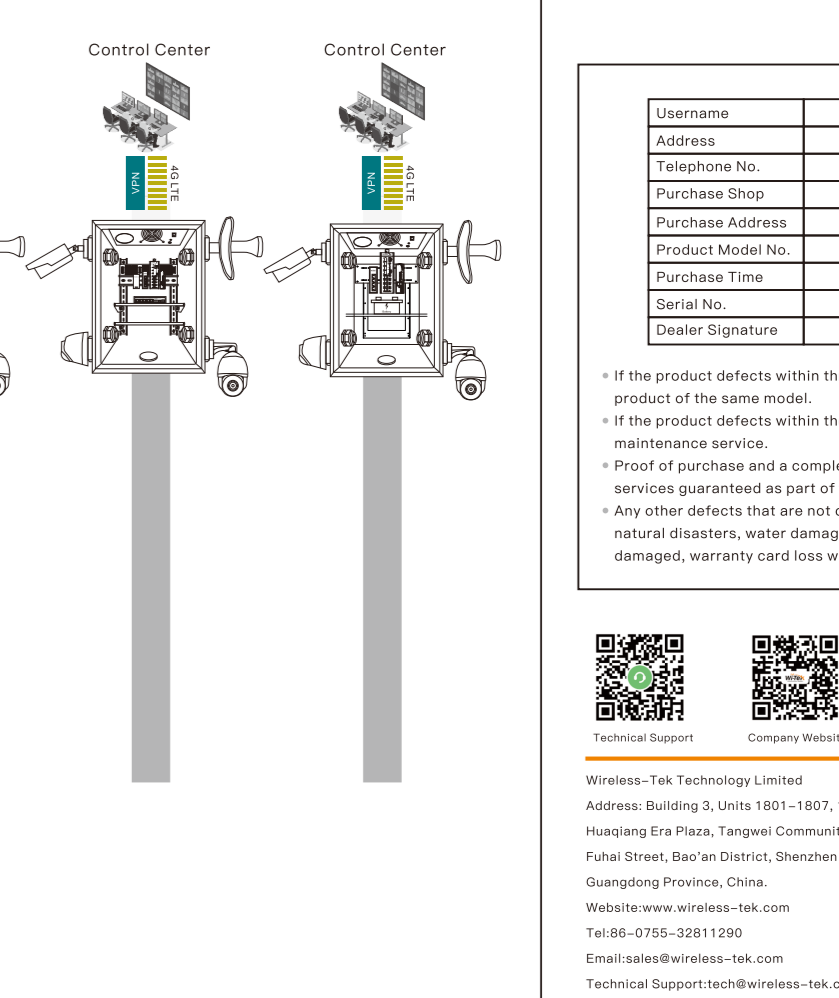
4.1 Pole-Mount



4.2 Wall-Mount



5. Application



Warranty Card

Username	
Address	
Telephone No.	
Purchase Shop	
Purchase Address	
Product Model No.	
Purchase Time	
Serial No.	
Dealer Signature	

- If the product defects within three months after purchase, we will provide you with a new product of the same model.
- If the product defects within the three-year warranty period, we will provide professional maintenance service.
- Proof of purchase and a complete product serial number are required to receive any services guaranteed as part of the limited warranty.
- Any other defects that are not caused by workmanship or product quality, such as natural disasters, water damage, extreme thermal or environmental conditions, sticker damaged, warranty card loss will disqualify the product from limited warranty.



Wireless-Tek Technology Limited
Address: Building 3, Units 1801-1807, 1812,
Huaqiang Era Plaza, Tangwei Community,
Fuhai Street, Bao'an District, Shenzhen City,
Guangdong Province, China.
Website: www.wireless-tek.com
Tel: 86-0755-32811290
Email: sales@wireless-tek.com
Technical Support: tech@wireless-tek.com

